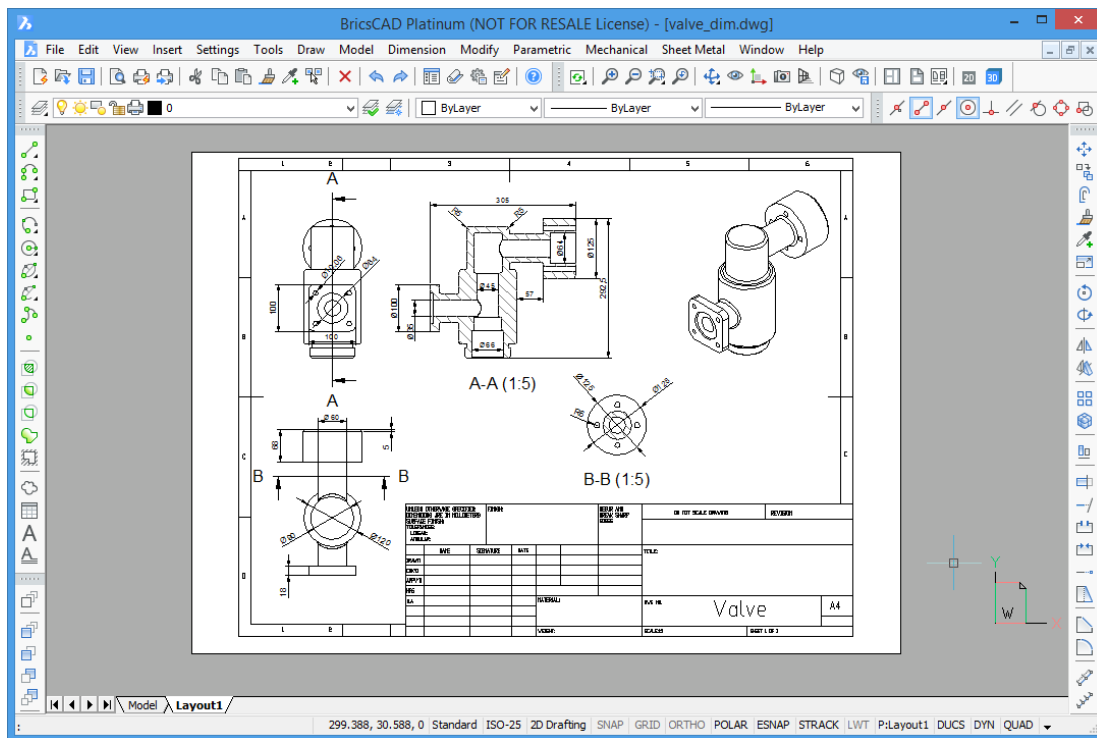




BricsCAD V14.2 with new Sheet Metal and Generative Drafting features released

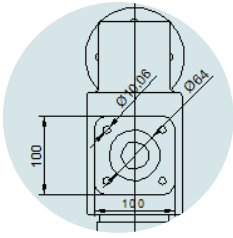
Ghent, Belgium and Merrimack, NH, USA – March 10, 2014

The V14.2 upgrade adds 68 new and improved features to its previous version, released just two months ago. It also includes over 40 additions for third party application developers and more than 70 various bug fixes.



Bricsys released BricsCAD V14.2 upgrade including the completely reworked Generative Drafting functionality and new Sheet Metal features. BricsCAD offers all the familiar CAD features, yet it adds time saving tools and 3D Direct Modeling at 1/5th of the cost.

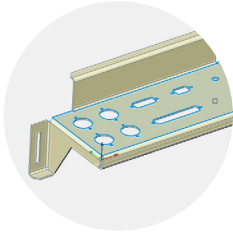
The V14.2 upgrade adds 68 new and improved features to its previous version, released just two months ago.



The V14.2 major upgrade includes 68 new and improved features including:

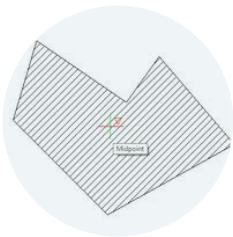
Generative Drafting

Creating 2D drawings from 3D models is now easier than before. The 2D views are automatically updated when the source 3D model changes. Views can be exported to model space, comparable to the former Quickdraw functionality.



Sheet Metal

It's now possible to associate a bending table with a Sheet Metal model. Bend deduction values from the table are used to exactly calculate unfolding, matching the used manufacturing tools. Flange Connect allows closing gaps between two flanges.



Snapping improvements

Snap Track creates a smart tracking line. Snap Track Lock locks the snap track path. Hatch Pattern Snap adds snapping to hatch pattern geometry.

Other new features such as:

- The possibility to use PDF export when publishing;
- Removal of duplicate or overlapping entities with Overkill;
- Improvements in Annotative Scales, Visual Styles;
- Support for CUIX files.

The full list of changes can be found in the Release Notes on the Bricsys website at <http://www.bricsys.com/common/releasenotes.jsp>.

Free download

BricsCAD users with an All-In subscription or with a valid V14 license can download the English language version of this major upgrade free of charge on the Bricsys website. Translated versions will be made available over the coming weeks.

Pricing for the different editions range from €380/\$485 to €985/\$1,145. For more information and a list of BricsCAD sales partners in your area, please email sales@bricsys.com.

BRISYS

Bricsys® is a global provider of dwg engineering design software brought to market under the BricsCAD® brand. Founded in 2002, Bricsys is a member of the Open Design Alliance. For additional information about Bricsys, visit www.bricsys.com.

Editorial Contact:

Sander Scheiris
+32-9-244 0167
press@bricsys.com